

BY SYNARGY®
SMART
COMFORT

RENO

MASSAGE CHAIR



QUICK START GUIDE &
OPERATING INSTRUCTIONS

QUICK START GUIDE

1

Remove any items from pockets and sit into the chair in a comfortable position.

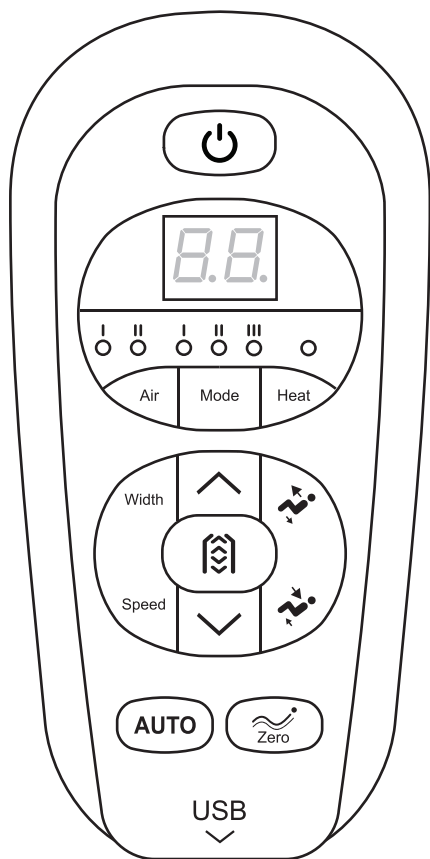
2






Press the power button, and the chair will begin massaging in automatic mode.

3

You can enjoy the automatic mode as it is, or read these operating instructions to learn about more advanced operation.

BASIC CONTROLS



- **Power button** turns the chair on & off
 - **The LED display** indicates the current mode and timer
 - **The I, II, and III LED lights** indicate which specific massage functions are being used (details on page 5)
 - **Air button** adjusts the pressure from airbags between  light,  strong or off (no lights)
 - **Heat button** turns the footrest heater on or off
 -  &  **buttons** will recline the chair back and forward, hold and release to adjust
 -  **button** will recline the chair into Zero Gravity horizontal position. Press again to return to upright
- **The USB port** at the bottom can be used to charge small devices such as smartphones

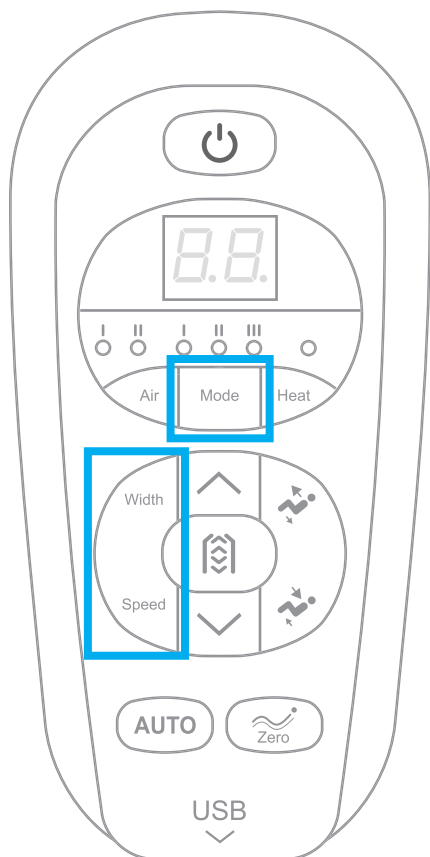
AUTOMATIC MODE CONTROLS



- **Auto button** cycles between three automatic modes. The selected mode is indicated by the LED display screen:

Mode	Description	Screen Display
Auto 1	Full body mode	<i>R 1</i>
Auto 2	Neck & shoulder mode (with some back & waist)	<i>R 2</i>
Auto 3	Back & waist mode (with some neck & shoulder)	<i>R 3</i>

MANUAL MODE CONTROLS

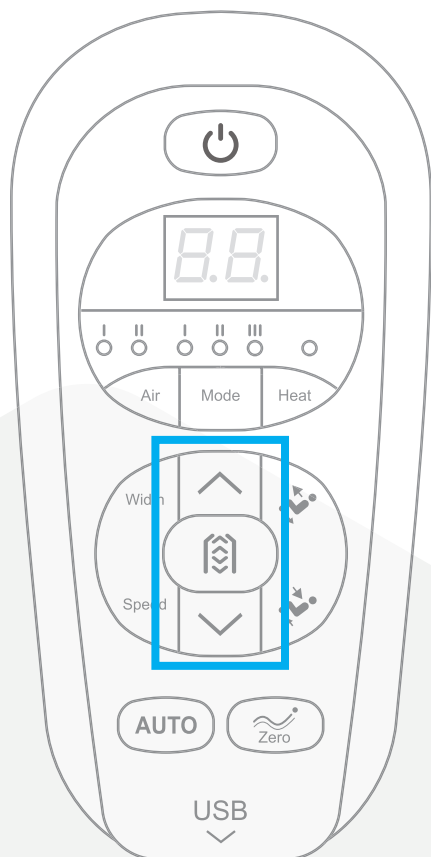


- **Mode button** cycles between back roller techniques. The selected mode is indicated by the I, II and III LED lights:

Mode	LEDs Display
Kneading	I ● II ○ III ○
Tapping	I ○ II ● III ○
Kneading + Tapping	I ○ II ○ III ●
Knocking	I ● II ○ III ○ ●
Shiatsu	I ○ II ● III ○ (flashing)
Tapping 2	I ○ II ○ III ● (flashing)

- **Width button** cycles between three back roller width settings, indicated on the screen with $W1$, $W2$ and $W3$.
(Can be used during Tapping, Knocking and Shiatsu modes)
- **Speed button** cycles between three back roller speed settings, indicated on the screen with $P1$, $P2$ and $P3$.
(Can be used during all Manual modes)

MANUAL CONTROLS



- **Massage area button** cycles between five different back roller position options. The selected mode is indicated by the LED display screen:

Mode	Screen Display
Massage in fixed position	H0
Massage up and down a short distance	H1
Upper back area	H2
Lower back area	H3
Full length of back area	H4

- **The Up and Down arrows** can be used to adjust the massage rollers position during H0 and H1 modes

BLUETOOTH AUDIO

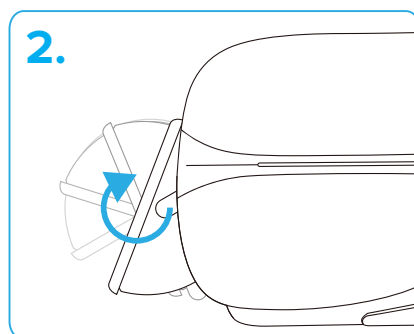
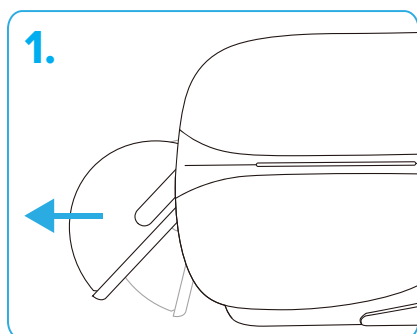
To play music or other audio through the Bluetooth speakers, go to the Bluetooth settings menu on your phone or device.

Search for a new device, look for “Smart Comfort 0000” or similar and choose ‘connect’ or ‘pair’.

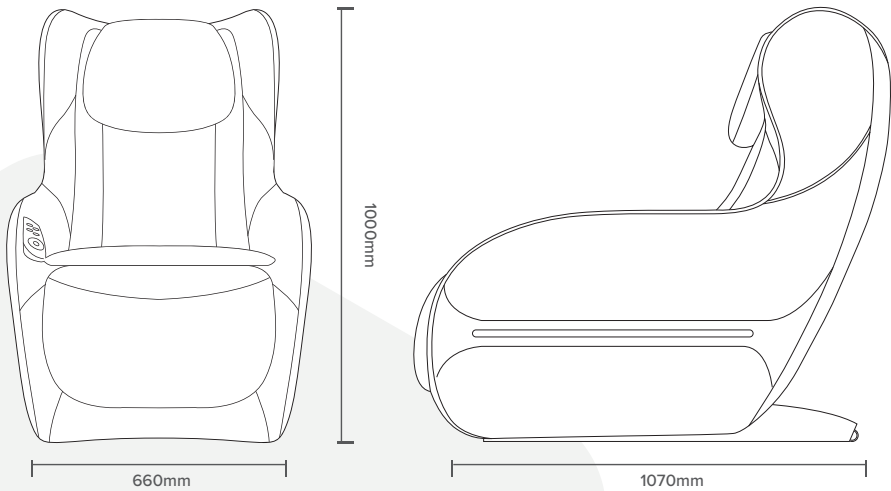
You can then play music using your regular media player app.

ROTATING THE FOOTREST

The footrest can be rotated 180 degrees to exclude the calf massage functions if preferred. To rotate the footrest, simply lift the footrest outward away from the chair, rotate to the desired orientation and then release.



RENO MASSAGE CHAIR



Health and Safety Warnings: Do not drop or push anything into any slot of the machine. Please stop immediately and consult your doctor if you feel unwell when using this machine. Not intended for use by persons (including children) with reduced physical, sensory or mental capabilities, or lack of experience and knowledge, unless supervised. Do not use if you are pregnant, unwell, or have a pre-existing medical condition. Do not sit on the back, armrest, or the leg rest as it may result in damage or injury. Do not press or put your hands into the cloth cover of the massage hands.